



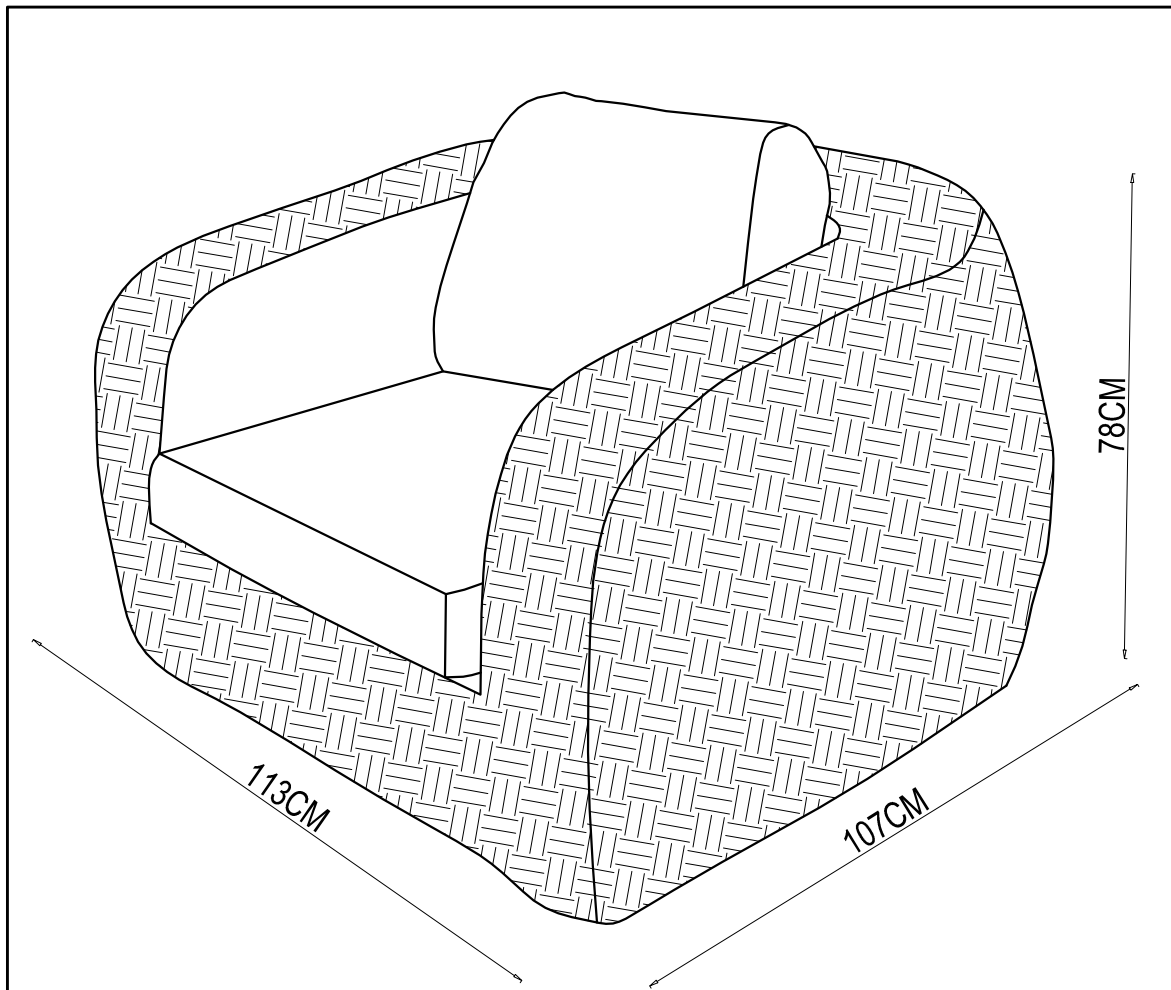
Amart

SIGNATURE  
COLLECTION

# ASSEMBLY INSTRUCTION

## SHOALHAVEN OUTDOOR ARMCHAIR

ITEM CODE - 84815

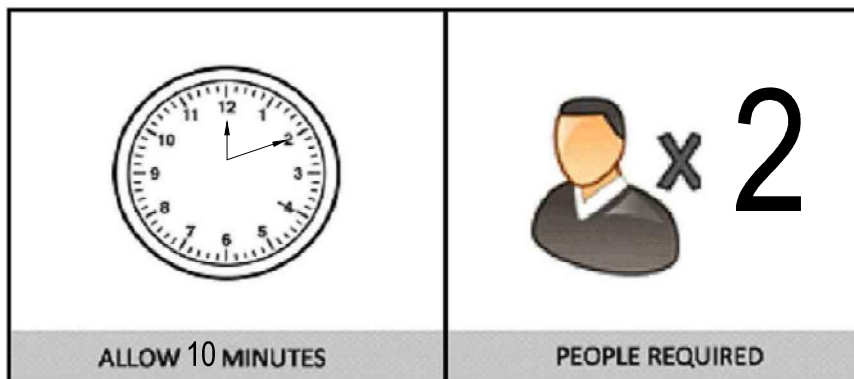


Imported by Amart Furniture Pty Ltd, Brisbane QLD, Australia.  
For any assistance with assembly or for missing parts please phone  
Amart Furniture, Customer Service Freecall 1800 351 084

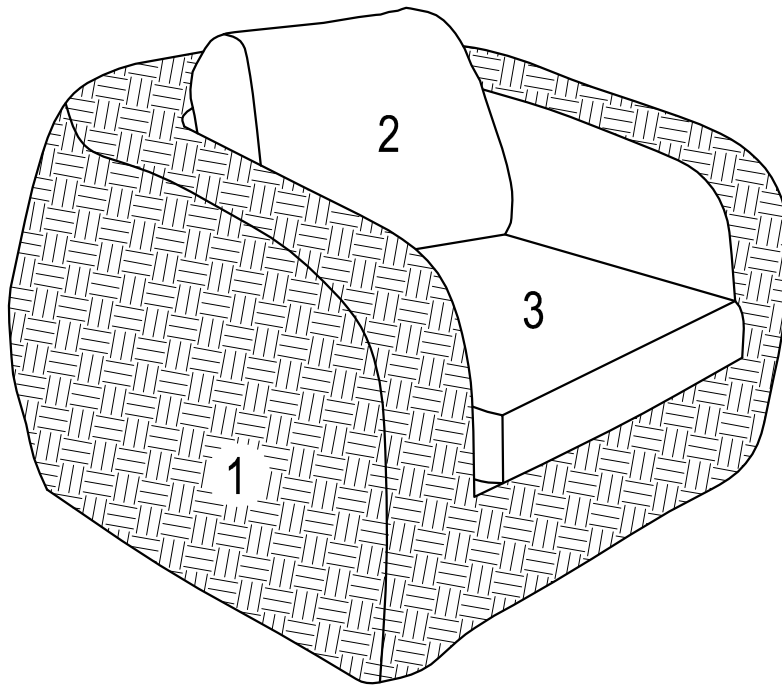
## PRE-ASSEMBLY PREPARATION

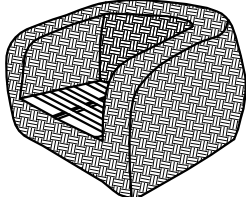
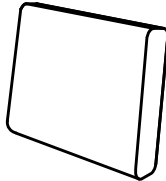
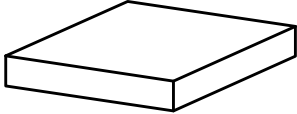
### Before you start:

1. Choose a clean, level, spacious assembly area. Avoid hard surfaces that may damage the product.
2. Take care when lifting. Product should be assembled as near as possible to the point of use.
3. Ensure that you have all required contents for complete assembly.
4. Always read the assembly instructions carefully before beginning assembly.
5. Keep all hardware parts and packaging out of reach of small children.
6. Do not over tighten the screws and bolts as this may damage the threads.

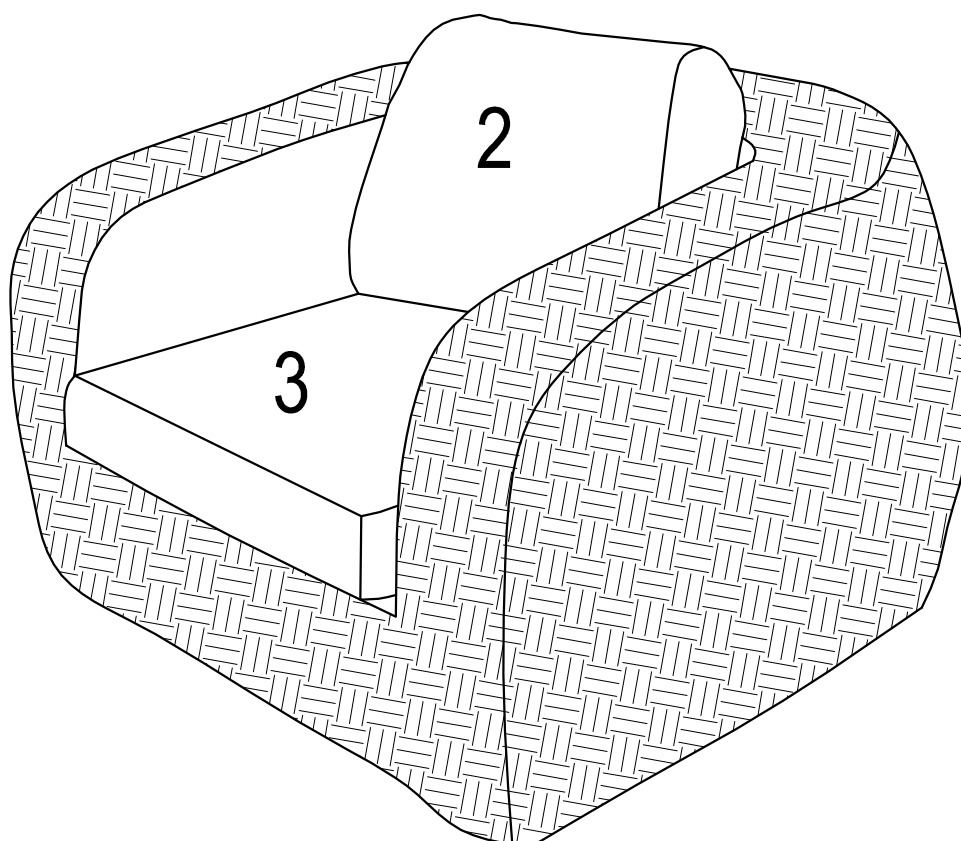


# PARTS LIST



1      Sofa  1PC	2      Back Cushion  1PC
3      Cushion  1PC	

**ASSEMBLY IS COMPLETE**



# Care and maintenance

---

## Aluminium

To ensure the longevity and maintain the appearance of your aluminium outdoor furniture, please follow these care instructions:

### **1.Usage and Storage:**

This item is designed for outdoor use, but, like all man-made materials, it can suffer damage if left exposed to the elements. To extend its life, avoid prolonged exposure to weather conditions. Store the furniture indoors or under cover when not in use or use an outdoor cover (do not store on grass).

### **2.Avoid Excess Moisture:**

DO NOT allow the furniture to remain wet or sit in standing water for long periods. Wipe the furniture dry immediately if it becomes wet. Excess moisture can cause corrosion.

### **3.Avoid exposure to chlorine & salt water:**

Chlorine/salt can disrupt the protective oxide layer on aluminium, leading to accelerated corrosion. This is particularly problematic in environments with high chlorine concentrations, such as in swimming pools, homes within a short distance of the ocean or areas with heavy chlorination.

### **4.Cleaning:**

Clean your furniture with care. Avoid using harsh solvents, abrasives, or chemicals. To remove dirt and grime, rinse with fresh water and dry thoroughly. For a deeper clean, use a sponge and a mild detergent solution as needed. Abrasive cleaners will scratch/damage the surface.

Live by the beach? Due to a process called "aerosolization", sea water is broken up into tiny droplets by the wind and waves and salt particles are released into the air. This process accelerates the corrosion of metal surfaces over time. It is essential to use furniture covers when the product is not in use and clean your product more frequently.

By following these simple steps, you will help keep your furniture in great condition and ensure it remains a beautiful and functional part of your outdoor space.

# Care and maintenance

---

## Cushions

To keep your outdoor cushions looking their best and ensure they last, please follow these simple care instructions:

### **1.Sun Exposure:**

Direct sunlight can cause rapid fading of the fabric. For best results, avoid exposing the cushions to direct sunlight.

**2.Weather Protection:** To prolong the life of your cushions, do not leave them permanently exposed to weather conditions. Leaving cushions exposed puts the product at risk of mould and mildew growth. Store them indoors or under cover when not in use.

**3.Cleaning:** Spot clean using a mild detergent and a damp cloth. After cleaning, dry the cushions by laying them flat in a shaded area to prevent any potential damage.

### **4.Handling:**

- 1.Do not unzip the cushion covers.
- 2.Do not remove the cushions from their covers.
- 3.Do not put in the washing machine.
- 4.Do not tumble dry.
- 5.Do not bleach.
- 6.Do not dry clean.

By following these simple steps, you will help keep your furniture in great condition and ensure it remains a beautiful and functional part of your outdoor space. By following these simple steps, you will help keep your furniture in great condition and ensure it remains a beautiful and functional part of your outdoor space.

# Care and maintenance

---

## Wicker

Wicker is a weaving technique used to create outdoor furniture, baskets, and decorative items. It involves weaving thin, flexible strands of materials like rattan, bamboo, or synthetic materials to form intricate patterns.

To ensure the longevity and maintain the appearance of your outdoor furniture, please follow these care instructions:

- 1. Usage and Storage:** This item is designed for outdoor use, but, like all man-made materials, it can suffer damage if left exposed to the elements. To extend its life, avoid prolonged exposure to weather conditions. Store the furniture indoors/under cover when not in use and use an outdoor cover (do not store on grass).
- 2. Sun Exposure:** Prolonged exposure to sunlight can cause wicker to dry out and become brittle, leading to cracks and potential unravelling of the weave. Sun exposure can also cause fading. To protect your furniture from UV damage, we recommend using a furniture cover when not in use, even when stored undercover or under an awning.
- 3. Moisture Management:** While wicker is made from weather-resistant materials, prolonged exposure to moisture can still lead to mould or mildew. If the furniture gets wet, dry it thoroughly to prevent moisture buildup.
- 4. Cleaning:** Regular cleaning is essential to maintain the appearance of your wicker furniture. Use a soft brush or vacuum with a brush attachment to remove dust and debris. For deeper cleaning, mix mild soap with warm water and gently scrub the surface with a cloth or sponge. Rinse thoroughly and dry immediately.

By following these care instructions, you can help ensure your outdoor wicker furniture remains attractive and functional for many seasons to come.